

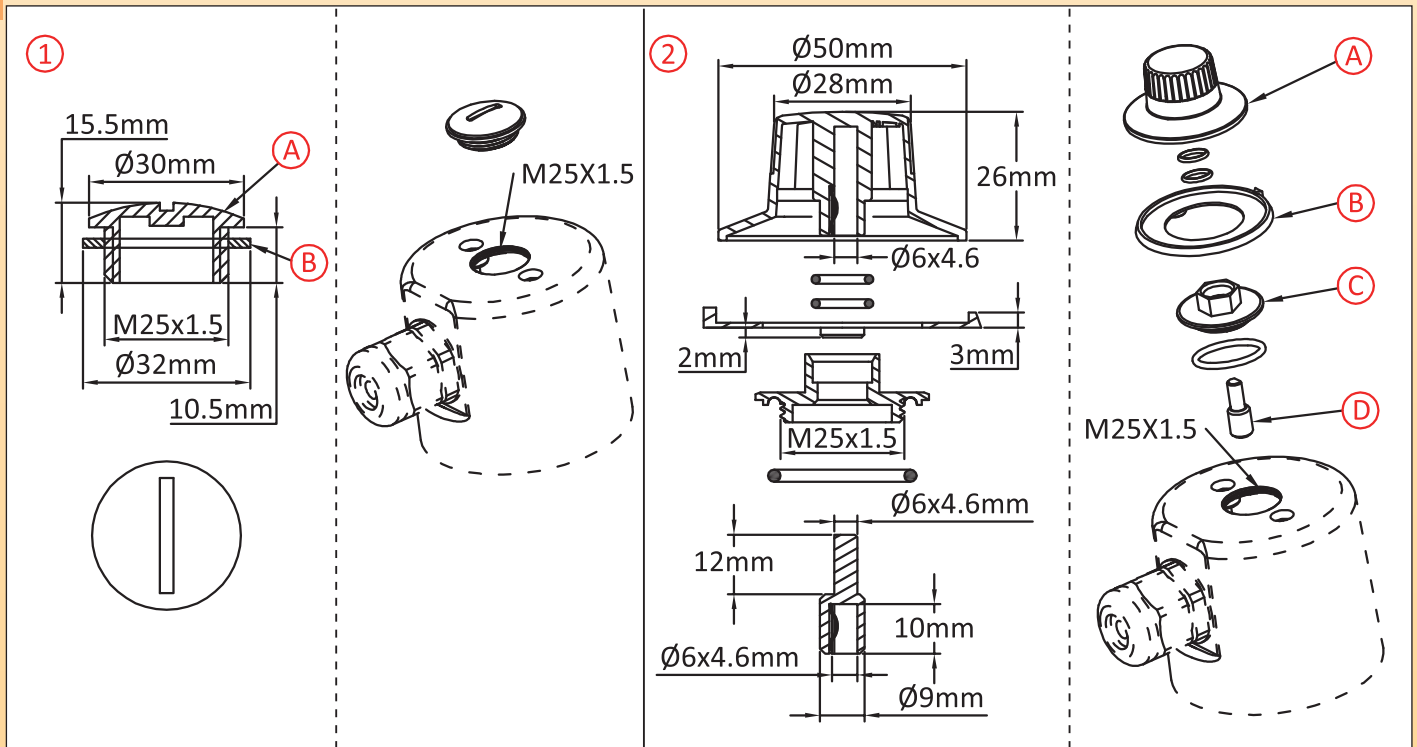
# Caps used on internal and external access to IP69K adjustment shafts, in PA66

Minimum Size	Maximum Size	Material	Type	Model
M25 × 1.5	M25 × 1.5	PA66	Plug	<b>66Q2 66Q3</b>

Compatible with:	
①	
<input checked="" type="checkbox"/> Y3C3 <input checked="" type="checkbox"/> Y304 <input checked="" type="checkbox"/> Y3P1 <input checked="" type="checkbox"/> Y3P6 <input checked="" type="checkbox"/> Y306 <input checked="" type="checkbox"/> Y307	<input checked="" type="checkbox"/> Y303 <input checked="" type="checkbox"/> Y305 <input checked="" type="checkbox"/> Y3P3 <input checked="" type="checkbox"/> Y3P5 <input checked="" type="checkbox"/> Y3C4 <input checked="" type="checkbox"/> Y3M1
②	
<input checked="" type="checkbox"/> Y3C3	

①

②



### Main references

### Links

①	② (A+B+C+D)	② (A+C+D)
66Q2PM1M25000000	66Q3PM3M25B00000	66Q3PM3M25K00000

For the model N°2, please specify the printing requested on the knob.

Page (.pdf)

Drawing 2D (.dwg)

Drawing 3D (.stp)

Red dimensions inside rectangular frames on drawings are used for assembly on enclosures or on fittings.

